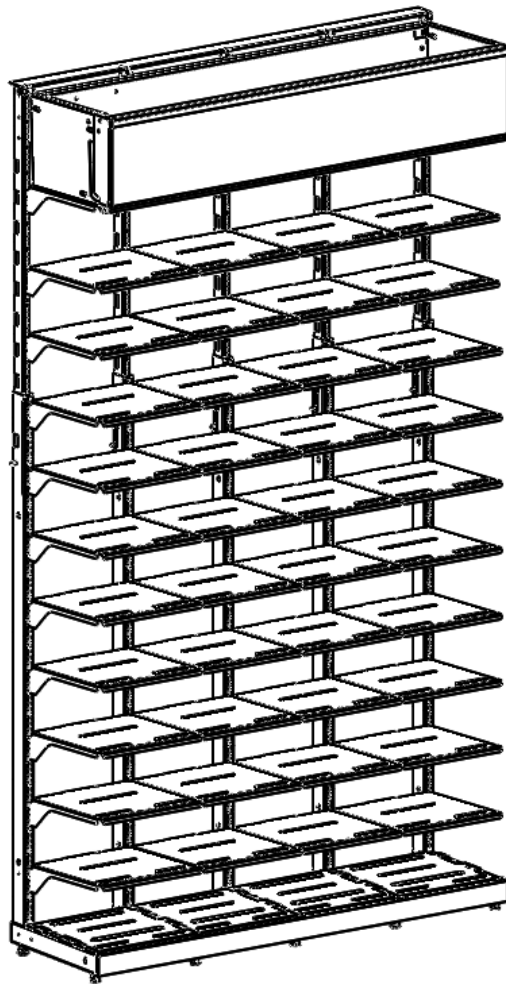


Infinity Fixture Installation Instructions



Step 1. Remove skid board, see notes.

Carefully read the contents of these instructions, as the instructions indicate the correct step by step procedure to assemble the product. In the event of assembly problems or missing parts, please call our customer service department at **616-842-5330**.

CAUTION:

ASSEMBLED UNIT IS VERY HEAVY. DO NOT ATTEMPT TO LIFT OR MOVE WITHOUT ASSISTANCE.

THE MANUFACTURER OF THIS DISPLAY ASSUMES NO LIABILITY FOR INJURY CAUSED BY IMPROPER ASSEMBLY / INSTALLATION OF THIS DISPLAY.



WARNING:

This product contains chemicals known to the State of California to cause cancer and birth defects or other reproduction harm.

For more information, go to www.P65Warnings.ca.gov

TOOLS REQUIRED:

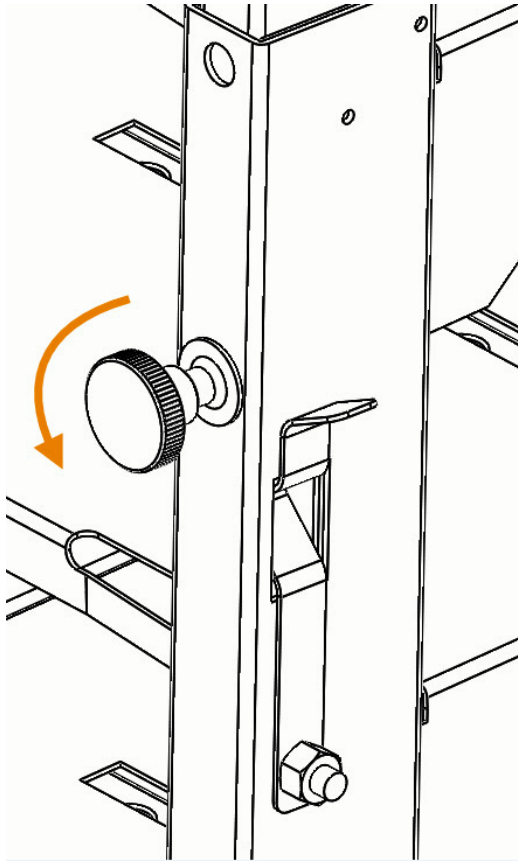
- #2 PHILIPS BIT + DRIVER
- CARPENTER LEVEL
- 7/16" WRENCH

NOTE: DO NOT use impact driver on screws

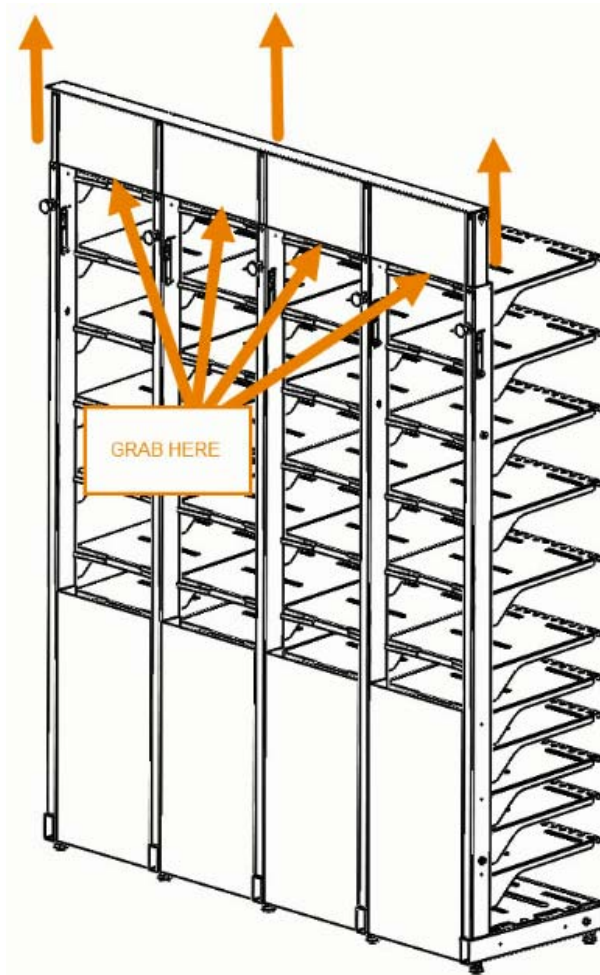
Infinity Fixture Installation Instructions

Telescoping Fixture Adjustment

1. Loosen Lock Knobs.

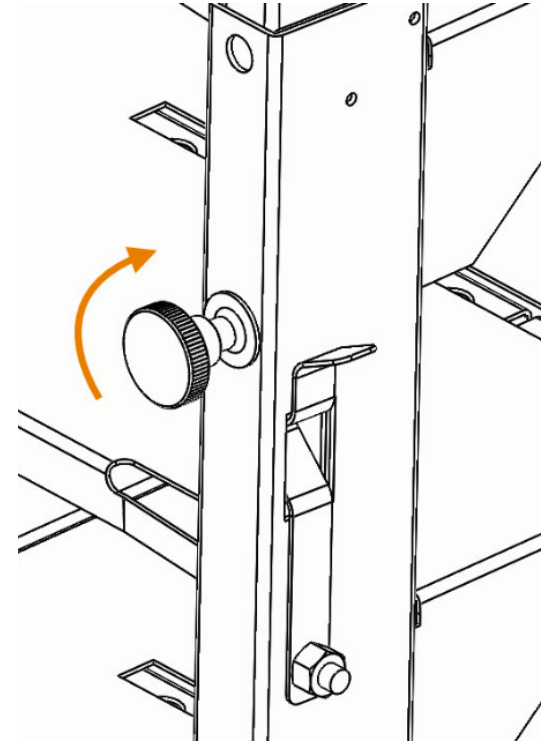


2. Adjust Fixture to Height.



3. Tighten Lock Knobs.

When the fixture is at the desired height, the lock knobs MUST be tightened.



305900IS

10-15-2020

© 2020 Harbor Industries

**IT IS THE RESPONSIBILITY OF THE INSTALLER TO CAREFULLY READ & FOLLOW ALL STEPS IN THE INSTRUCTIONS.

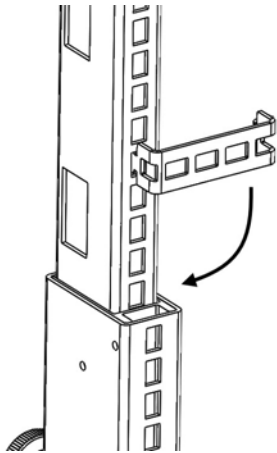
SHEET 2 OF 9

HARBOR

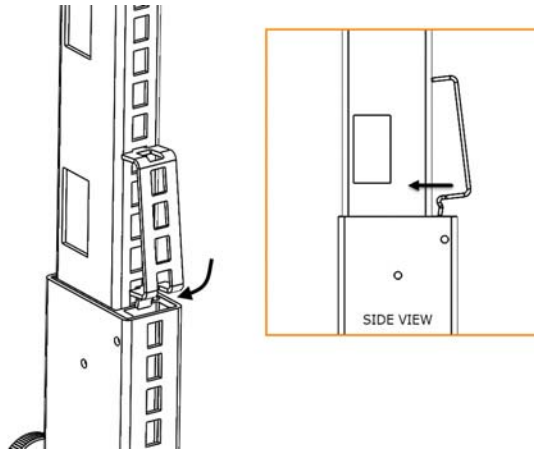
Infinity Fixture Installation Instructions

Slot Extension Brackets

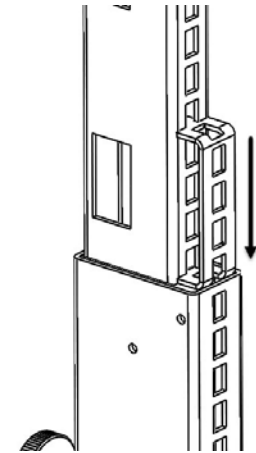
1. Insert "T" into slot.



2. Rotate & push bottom into hole above lower leg.



3. Push down flush with lower leg.

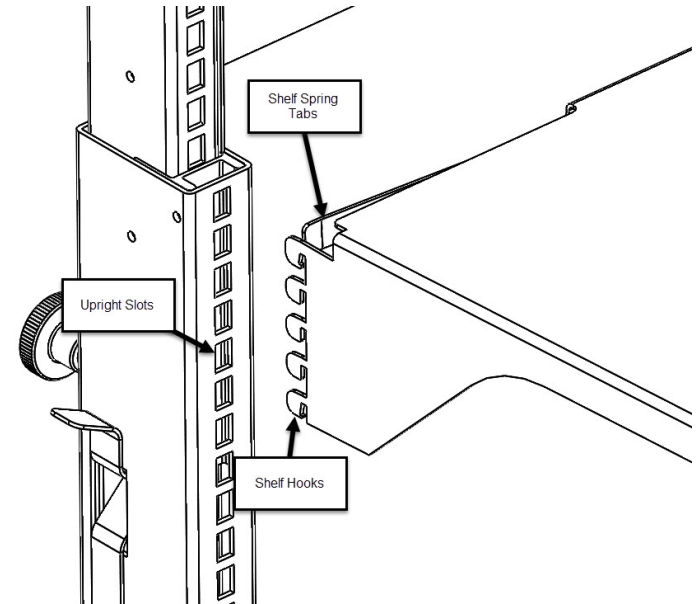
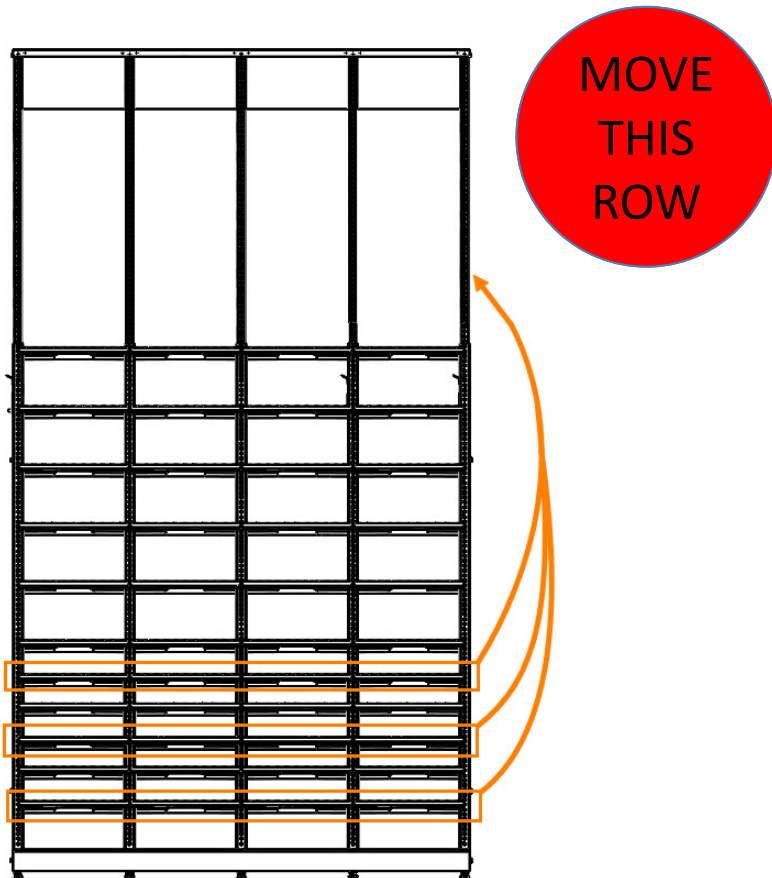


Slot Extension Bracket allows for a shelf to be placed at the point where the Infinity Fixture telescopes.

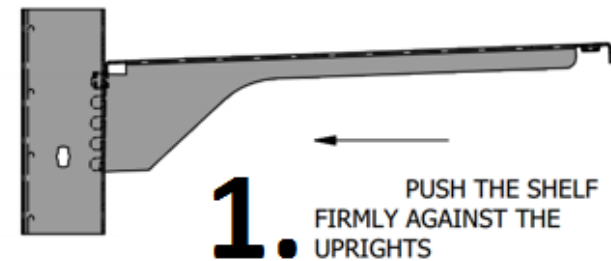
Infinity Fixture Installation Instructions

Shelves

Identify the shelves with a sticker on the front lip, and move to desired location.



- 2.** LIFT THE SHELF UPWARDS TO DISENGAGE THE SHELF HOOKS FROM THE UPRIGHT
- 3.** PULL THE SHELF FORWARD UNTIL IT IS OUT OF THE FIXTURE



Reverse steps for installation.

305900IS

10-15-2020

© 2020 Harbor Industries

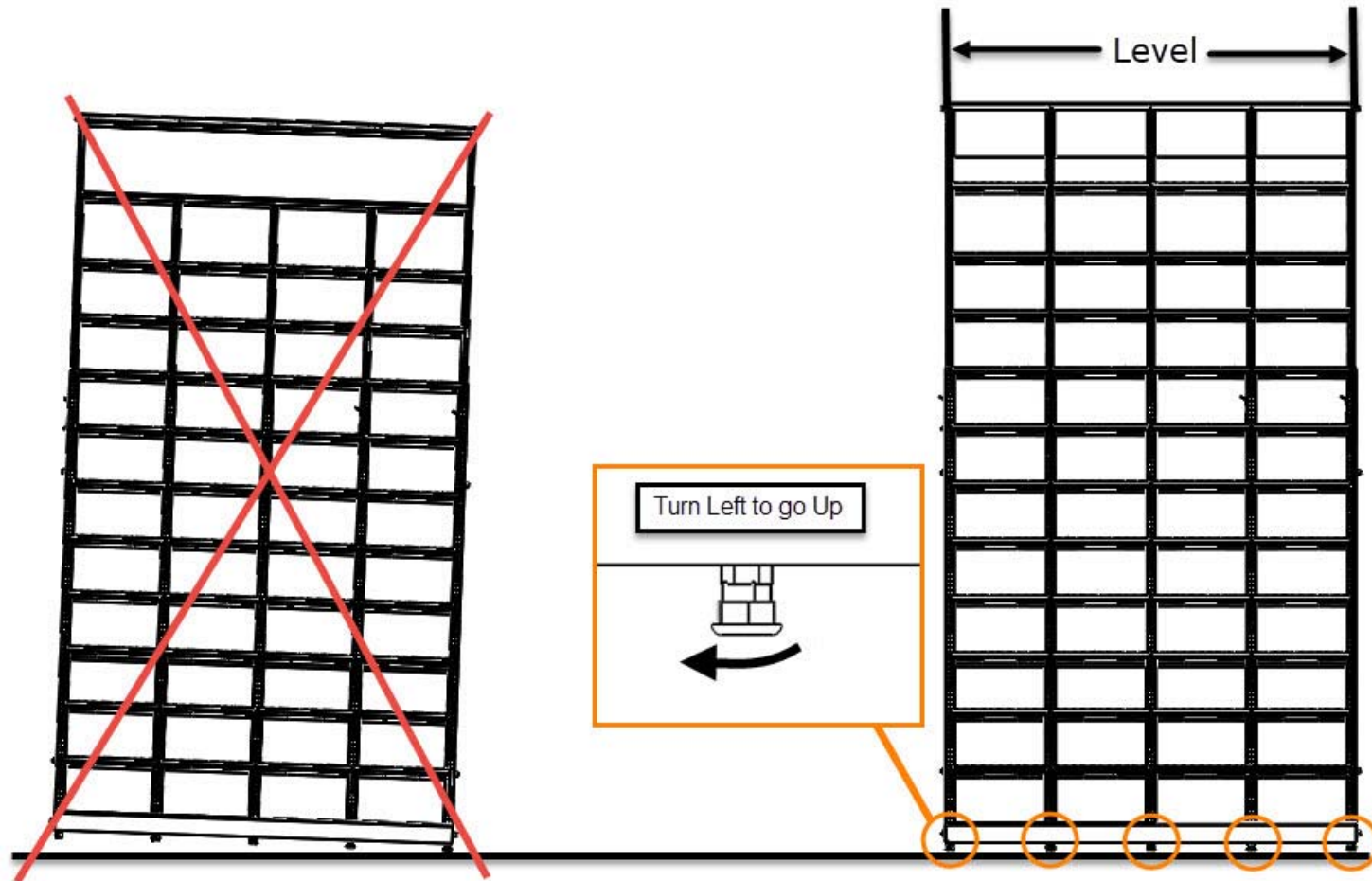
**IT IS THE RESPONSIBILITY OF THE INSTALLER TO CAREFULLY READ & FOLLOW ALL STEPS IN THE INSTRUCTIONS.

HARBOR

Infinity Fixture Installation Instructions

Leveling Fixture

Once fixtures are at desired height, the fixtures must be properly leveled, prior to connecting them.



305900IS

10-15-2020

© 2020 Harbor Industries

**IT IS THE RESPONSIBILITY OF THE INSTALLER TO CAREFULLY READ & FOLLOW ALL STEPS IN THE INSTRUCTIONS.

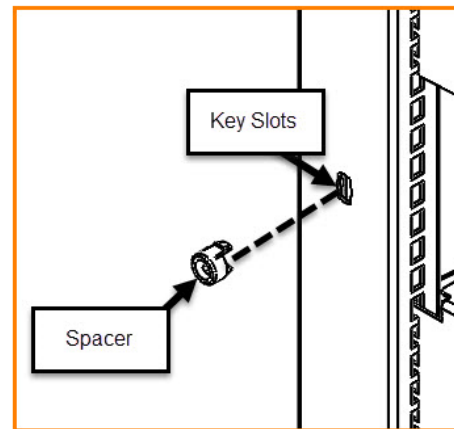
HARBOR

Infinity Fixture Installation Instructions

Installing Spacers

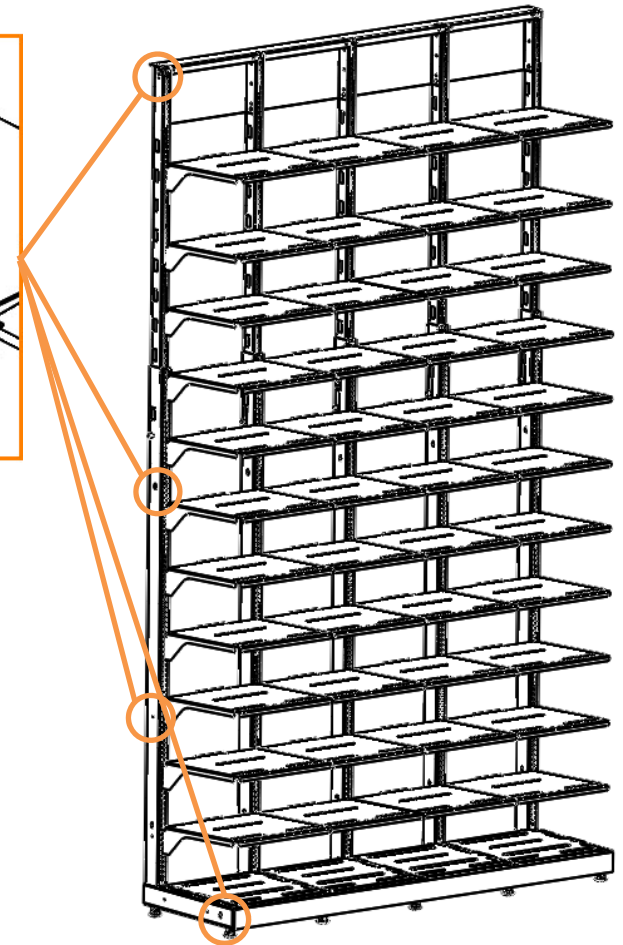
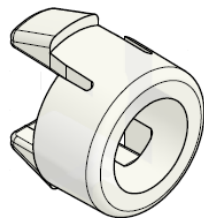
Spacers are required when connect more than one fixture together.

All fixtures use ¼ inch spacers, located in the hardware kit attached to the fixture.



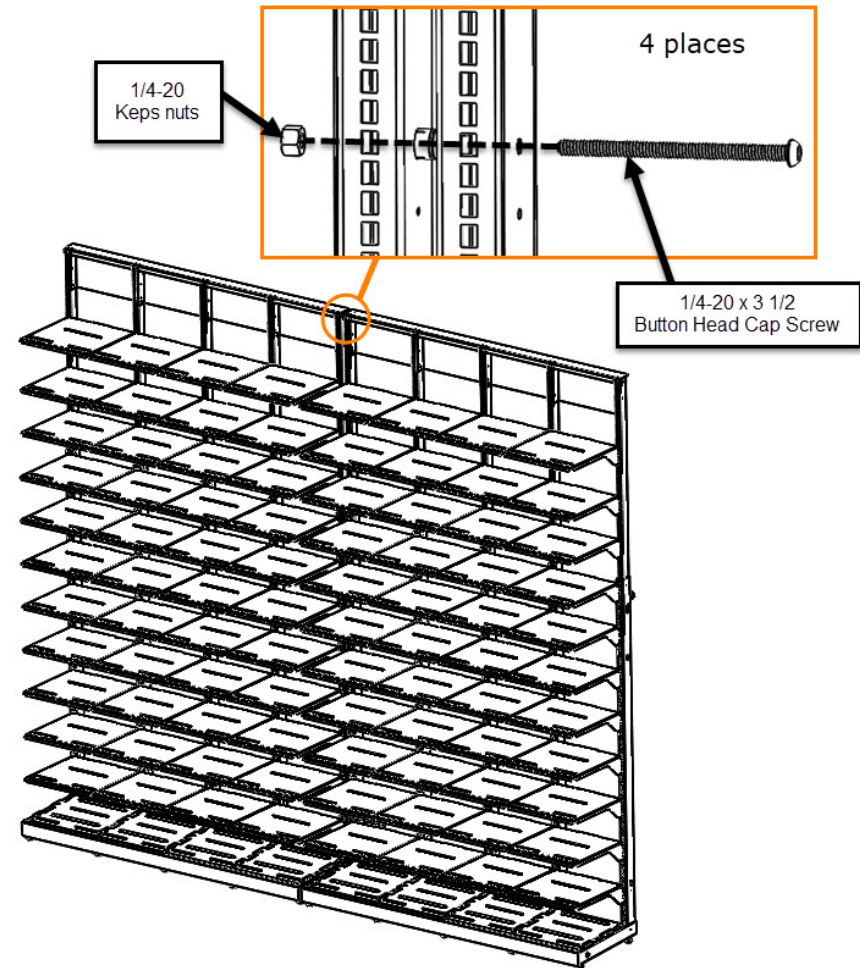
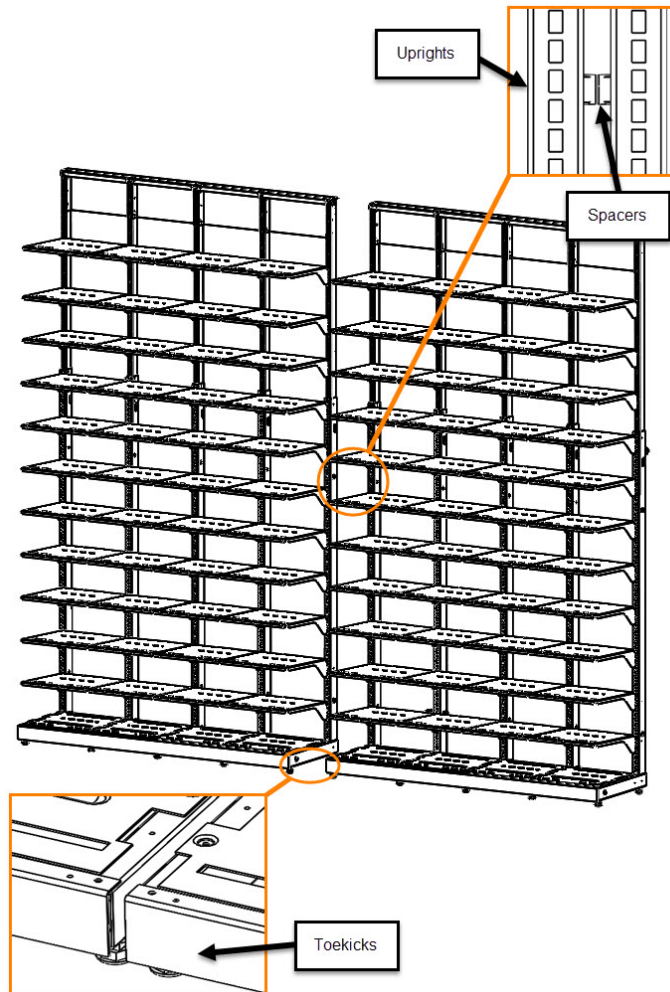
Insert spacers into uprights.

(3) on Lower Leg
(1) on Upper Leg



Infinity Fixture Installation Instructions

Fixture to Fixture Connection



305900IS

10-15-2020

© 2020 Harbor Industries

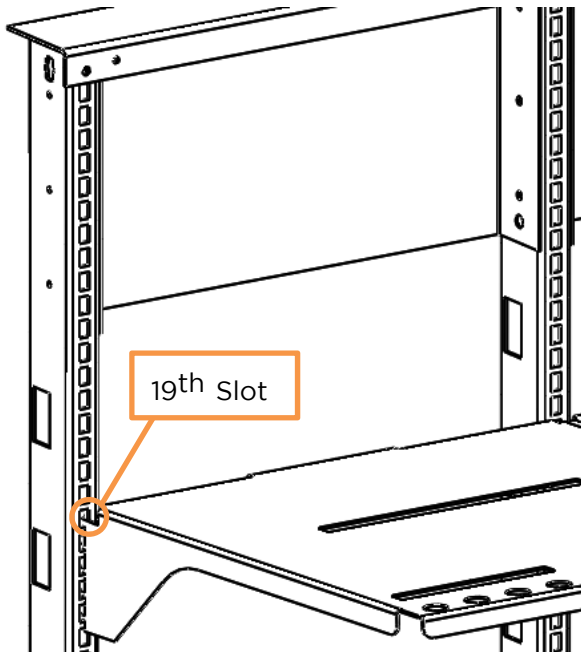
**IT IS THE RESPONSIBILITY OF THE INSTALLER TO CAREFULLY READ & FOLLOW ALL STEPS IN THE INSTRUCTIONS.

HARBOR

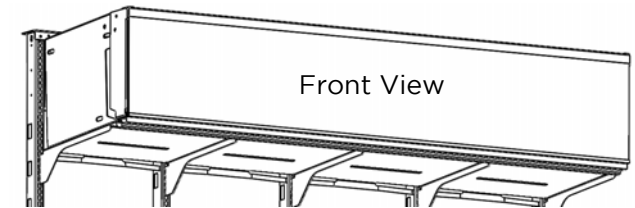
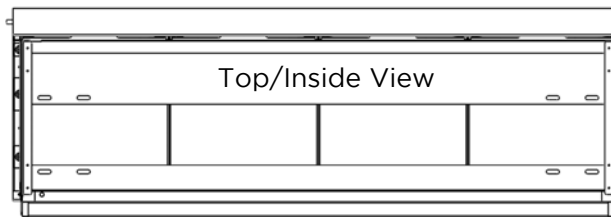
Infinity Fixture Installation Instructions

Header Installation

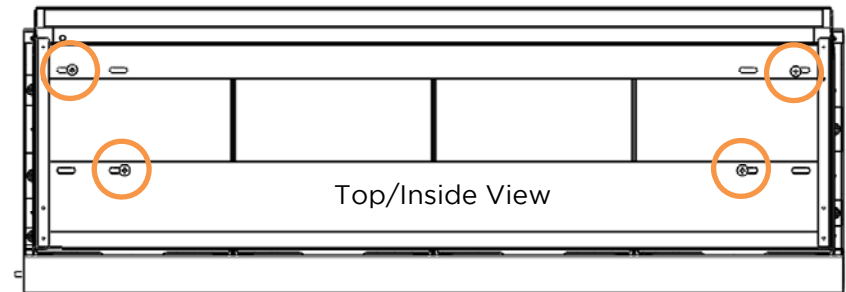
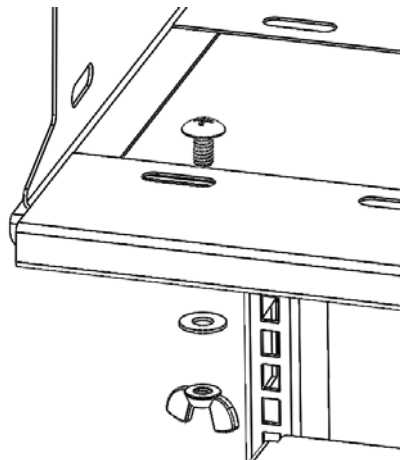
1. Top row of shelves placed in 19th slot from the top of the fixture. If more merchandising space is needed, header shelves can be raised to increase space below.



2. Place Header onto shelves and align slots in header base with shelf slots.



3. Secure Header to shelves using provided wing nuts, washer, and bolts. Must be secured at 4 locations.

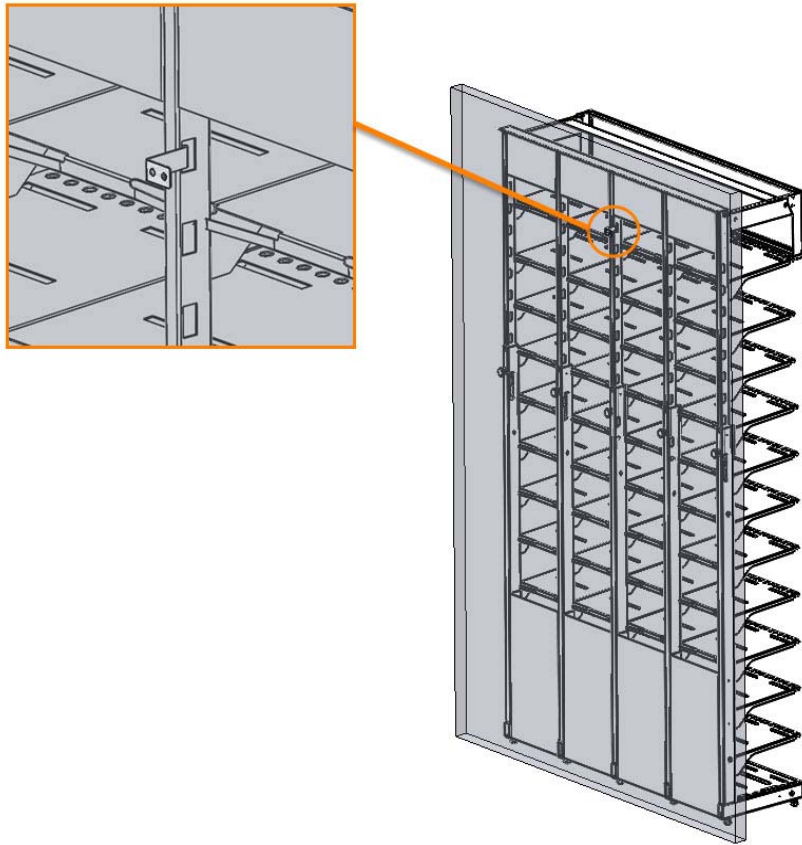


Note: Headers can be installed in any location on fixture, even across fixture connection points.

Infinity Fixture Installation Instructions

Securing Fixture to the Wall

Secure to wall using wall mount, screws, and anchors found in hardware kit.



Alternative mounting method: using wire cable, wall mount, screws and anchors.

